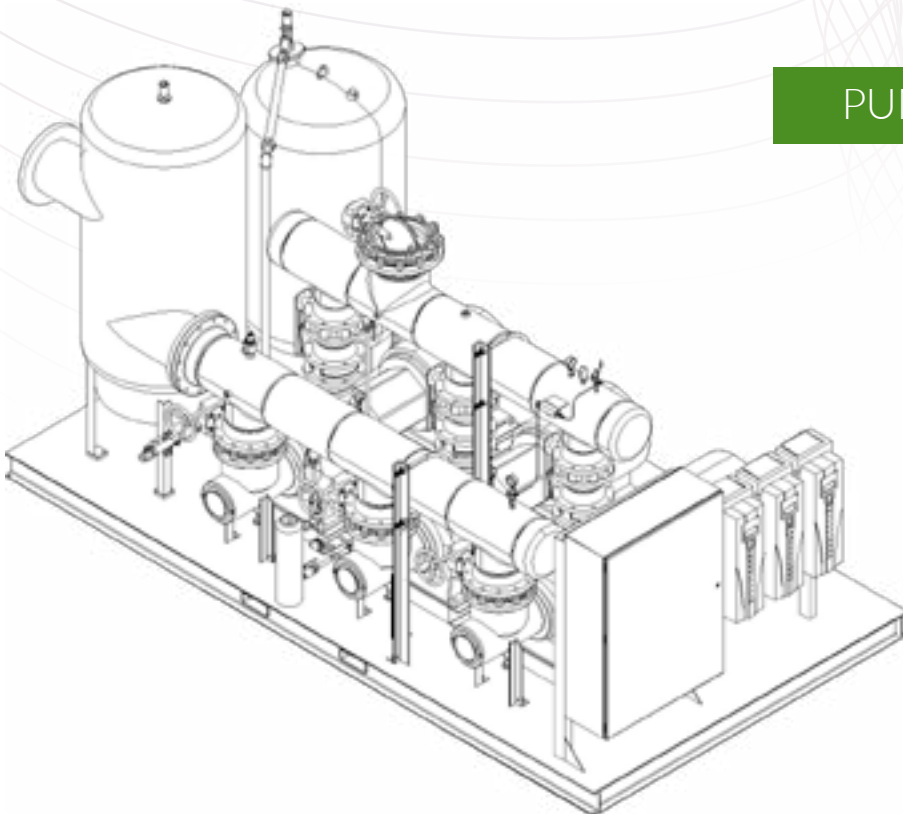


HY  
SERIES

# CLEANLOOP HYDRONIC PUMP STATION

The **HY Series Hydronic Pump Station** is a packaged closed water system designed to circulate water through your facility. This pump station is often used in conjunction with Dry Coolers AquaVent Air Cooled Heat Exchangers, Closed-Circuit Evaporative Towers, or Mechanical Chillers.

With proper closed-loop water treatment, the system will protect your facility's equipment from corrosion, scale and debris. Eliminate downtime due to poor water quality issues. The compact packaged design minimizes space usage in mechanical rooms and comes pre-wired, pre-plumbed, factory tested and ready for a quick and easy installation.

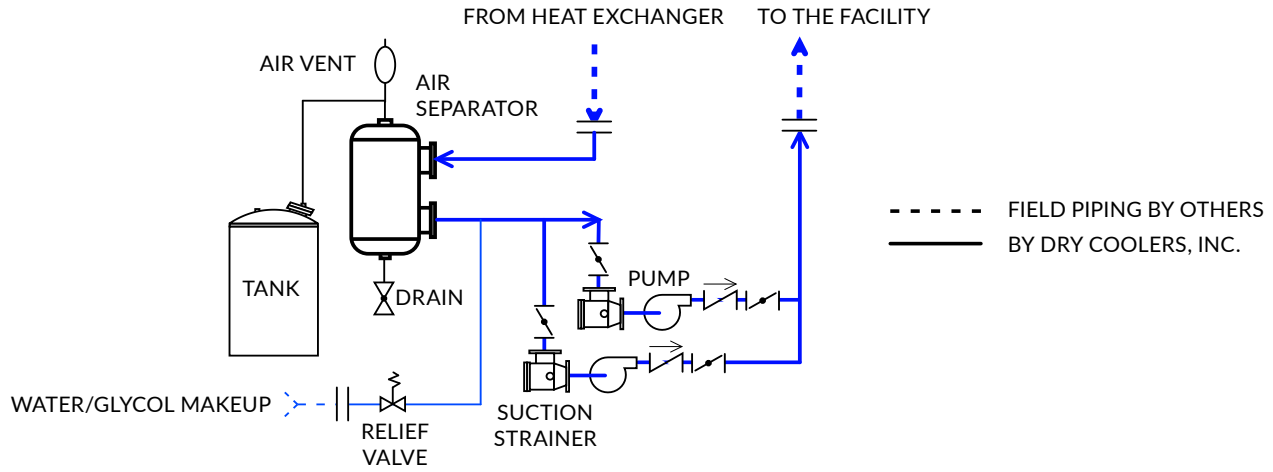


## PUMP STATIONS WITH PURPOSE

### Designed for:

- Industrial Processes
- HVAC Water Recirculation
- Engineered Systems

# TYPICAL PROCESS DIAGRAM



## STANDARD FEATURES

- High Efficiency Pump
- Centrifugal Air Separator
- Pump Suction Strainer
- Expansion Tank
- Relief Valve
- UL 508A Controls
- Drains
- Makeup Valve
- Fully tested prior to shipment

## OPTIONAL UPGRADES

- Backup Pump with Auto Switchover
- Variable Frequency Drive
- Chemical Feeder
- Filtration
- Enclosures for Outdoor Installation
- ASME certification
- Onsite Startup

## DIMENSIONS & CAPACITIES

Pump Station Base Model	Flow Range (GPM)	Pipe Size (NPS / Inches)	Number of Pumps Running	Pump HP to Make 50 PSID (115 Feet TDH)	Estimated Tank Acceptance Volume (Gallons)	Approximate Dimensions W x L x H (Inches)
CSX-150-HY	20-35	1.5	1	3-5 HP	10	30 x 48 x 60
CSX-200-HY	40-70	2	1	5-7.5 HP	10	30 x 60 x 60
CSX-250-HY	71-115	2.5	1	7.5-10 HP	20	36 x 60 x 72
CSX-300-HY	116-185	3	1	10-15 HP	20	36 x 60 x 72
CSX-400-HY	186-350	4	1	15-20 HP	40	42 x 60 x 72
CSX-500-HY	351-550	5	1	25-30 HP	40	60 x 84 x 72
CSX-600-HY	551-900	6	1	30-40 HP	60	60 x 96 x 84
CSX-800-HY	901-1500	8	2	(2) 30-40 HP	60	72 x 108 x 84
CSX-1000-HY	1501-2500	10	3	(3) 30-50 HP	80	72 x 144 x 84
CSX-1200-HY	2501-3500	12	3	(3) 40-50 HP	80	84 x 160 x 84
CSX-1400-HY	3501-4500	14	4	(4) 40-50 HP	80	84 x 180 x 84



📍 575 South Gaspie Street, Oxford, MI 48371

☎ 1-800-525-8173

📠 1-248-969-3401

🌐 www.drycoolers.com

✉ info@drycoolers.com

**BULLETIN  
HY - 1912**