

Evaporative Cooling Tower Systems

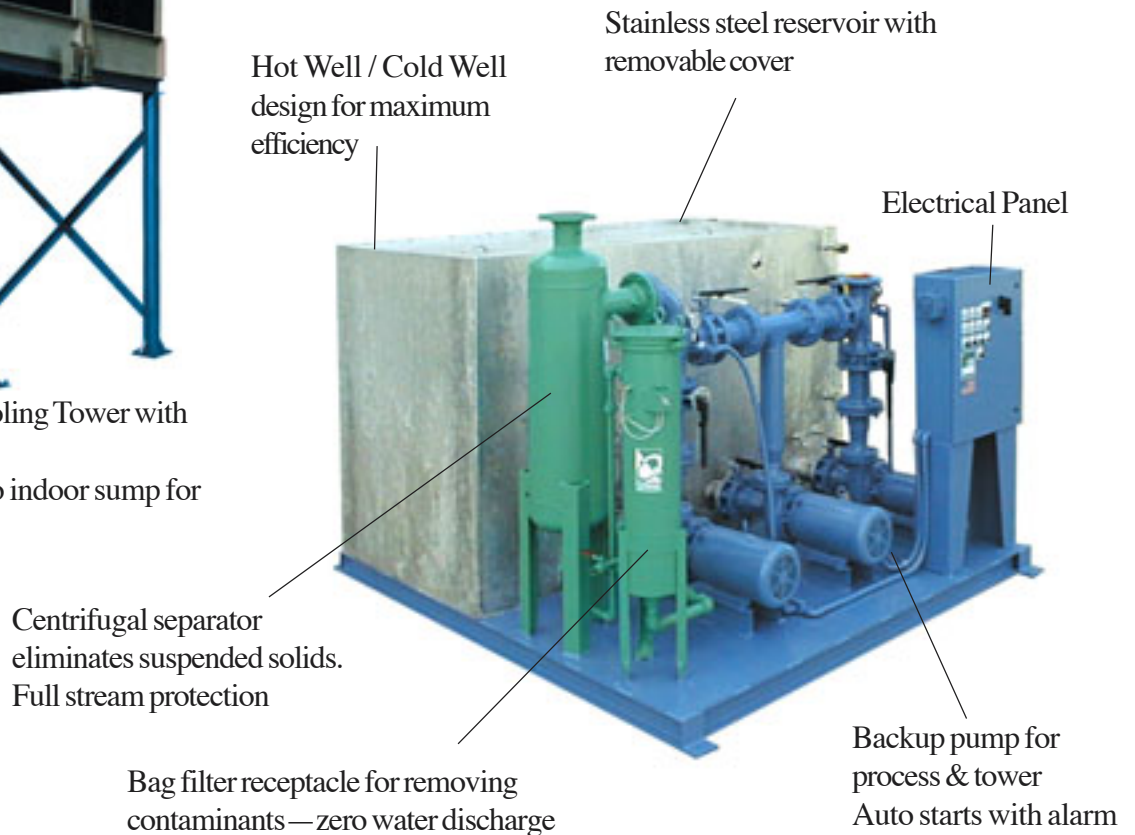
Aqua-Vent[®]

ETP Series



Evaporative Cooling Tower with optional stand
Gravity drains to indoor sump for freeze protection

- Skid mounted for easy installation
- Standard packages from 15 to 500 tons
- Custom specifications are welcome



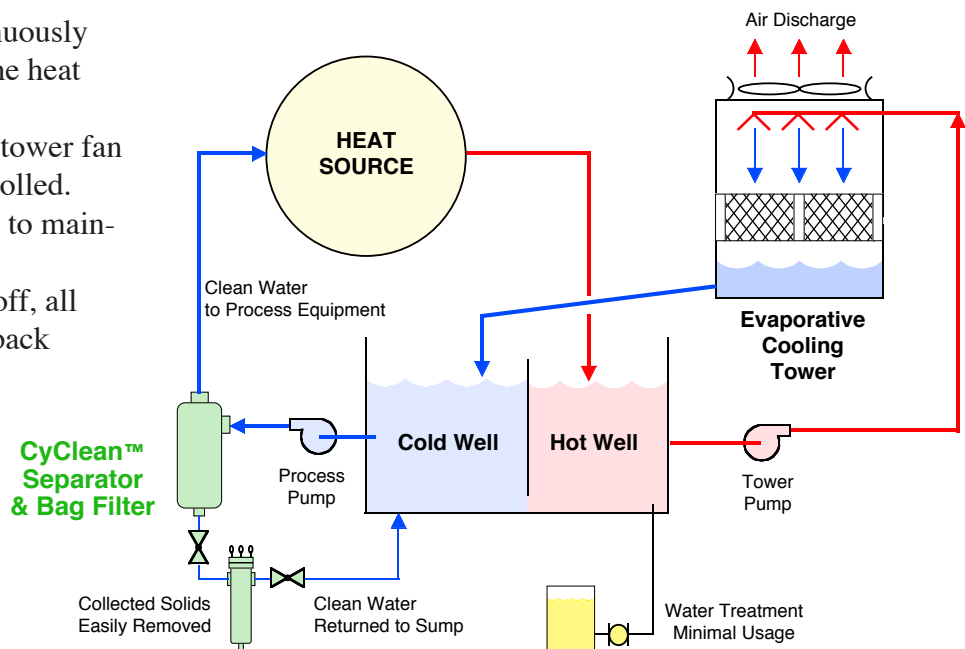
More Quality Features:

- Liquid level sight glass
- Digital indicating temperature controller
- Low water level cutout switch with alarm
- Fused disconnect
- Pilot lights for pumps and fans
- Selector switches for manual or automatic operation

Packaged systems save money.

Typical Process Diagram

1. Process pump runs continuously providing cool water to the heat source.
2. Tower pump and cooling tower fan are thermostatically controlled. They start only as needed to maintain temperature.
3. When tower pump shuts off, all water drains from tower back indoors to cold well.



CAPACITIES and DIMENSIONS

Note: Btu/hr = MBH x1000. Based on 78°F wet bulb ambient air and 95°F entering, 85°F leaving. Dimensions are subject to change. Consult factory for certified drawings. Consult factory for larger sizes.

Model No.	Capacity		Evaporative Tower		Tower Pump HP	Process Pump HP	Tank Gal	Piping Size	Skid Dimensions LxWxH (ft)
	GPM	MBH	Fan HP	Size (WxLxH)					
ETP-50	50	250	1	3'x3'x7'	1	5	150	2"	4'x4'x5'
ETP-100	100	500	2	4'x4'x9'	2	7.5	300	2-1/2"	6'x5'x6'
ETP-150	150	750	3	4'x4'x9'	3	10	450	3"	6'x5'x6'
ETP-200	200	1,000	5	4'x6'x9'	5	15	700	4"	6'x5'x6'
ETP-300	300	1,500	(2) 3	4'x6'x9'	5	15	900	4"	8'x6'x6'
ETP-400	400	2,000	(2) 5	4'x12'x9'	7.5	20	1,200	6"	8'x6'x6'
ETP-500	500	2,500	10	8'x9'x11'	7.5	25	1,500	6"	8'x8'x6'
ETP-600	600	3,000	15	8'x12'x11'	10	30	1,800	6"	10'x8'x7'
ETP-700	700	3,500	20	8'x12'x11'	10	30	2,200	6"	10'x8'x7'



3232 Adventure Lane
Oxford, MI 48371

1-800-525-8173

Michigan (248) 969-3400

Fax (248) 969-3401

www.drycoolers.com

ALSO AVAILABLE from Dry Coolers

Air cooled heat exchangers

Air and water cooled refrigerant chillers

CyClean™ filtration systems

Complete systems are pre-engineered and pre-packaged. Take the headaches out of your process cooling while saving money on water and sewer costs.