

CONNECTION CHART

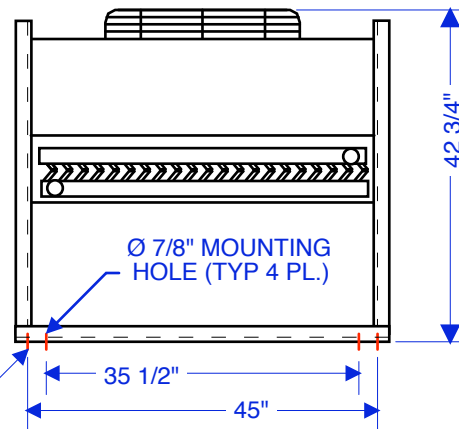
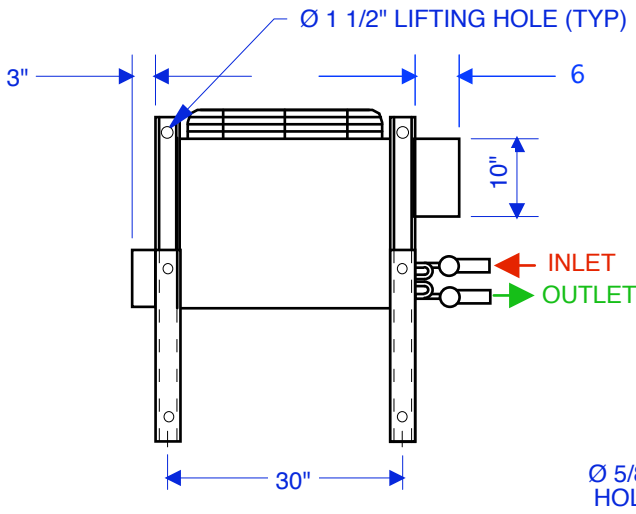
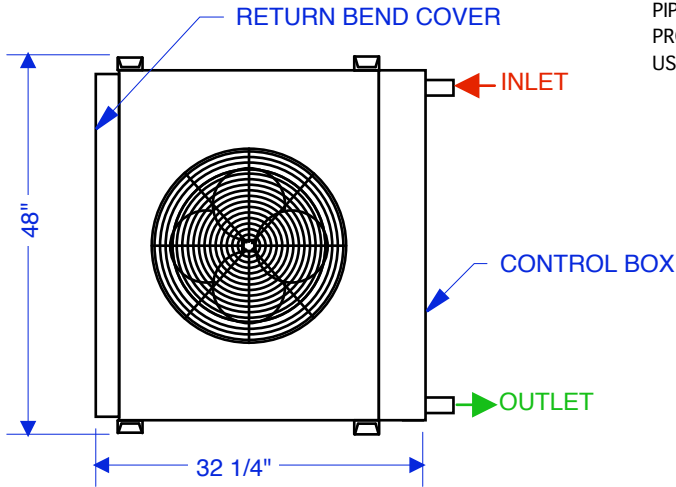
ODS SIZES	gpm
1.125"	1-10
1.625"	11-35
2.125"	36-75
2.625"	76-120
3.125"	121 & ^

NOTES:

- (1) MOUNTING LEGS ARE RETRACTED FOR SHIPPING PURPOSES AND MUST BE LOWERED IN POSITION FOR UNIT INSTALLATION
- (2) UNIT MUST BE FREEZE PROTECTED
- (3) CONNECTION SIZES DO NOT NECESSARILY REFLECT THE REQD PIPE SIZE TO AND FROM THE COOLER. PROPER PIPE SIZE MUST BE CALCULATED USING RECOGNIZED PIPE SIZING PRACTICE
- (4) COOLER MUST BE LOCATED FAR ENOUGH AWAY FROM ANY OBSTRUCTION(S) TO AVOID AIR FLOW RESTRICTION OR RECIRCULATION OF WARM AIR
- (5) SEE DRY COOLERS BULLETIN FOR DETAILED INSTALLATION INFORMATION

CONNECTION NOTES:

- (1) ALL CONNECTIONS ARE ODS UNLESS OTHERWISE NOTED
- (2) SUPPLY AND RETURN CONNECTIONS ARE SAME SIZE
- (3) CONNECTION SIZES DO NOT NECESSARILY REFLECT THE REQD PIPE SIZE TO AND FROM THE COOLER. PROPER PIPE SIZE MUST BE CALCULATED USING RECOGNIZED PIPE SIZING PRACTICE



ALL DIMENSIONS ARE SUBJECT TO CHANGE. CONSULT FACTORY FOR CERTIFIED DREAINGS

MODEL NO.	FAN DATA			APPROX. NET WEIGHT	COIL VOLUME (GALLONS)
	QTY	DIAMETER	TOTAL CFM		
AVR-5	1	24"	5,200	220 LBS	2.2
AVR-6	1	24"	5,100	245 LBS	2.2
AVR-7	1	24"	5,000	270 LBS	3.0
AVR-8	1	24"	4,900	295 LBS	3.6
AVR-9	1	24"	4,800	305 LBS	3.8

FAN MOTORS ARE 1/2 HP, 1075 RPM, 4.2 FLA @ 230V/3Ø, 2.0 FLA @ 460V 3Ø



3232 Adventure Lane
Oxford, MI 48371
Phone (248) 969-3400
Fax (248) 969-3401
www.drycoolers.com

AVR 05-09

REF:	12/15/10	BY:	hhh
CUSTOMER:	DCI	DRW #	r7