

NFP
SERIES

CLEANLOOP NON-FERROUS PUMP STATION

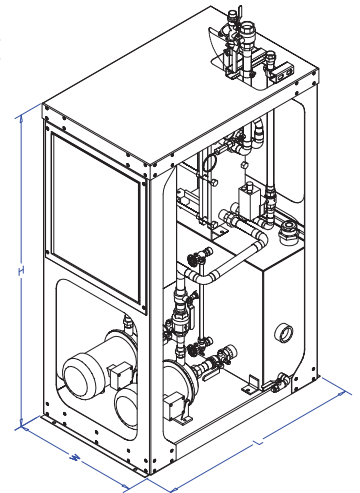
The **NFP Series Non-Ferrous Pump Station** is designed to isolate plant water from your low-conductivity high purity water.

The electromagnetic field generated by an induction coil will interact with dissolved minerals (especially iron) in the cooling water, causing them to come out of solution in the critical areas of your induction equipment. These deposits cause equipment to run hot, accelerate corrosion and can completely clog cooling passages.

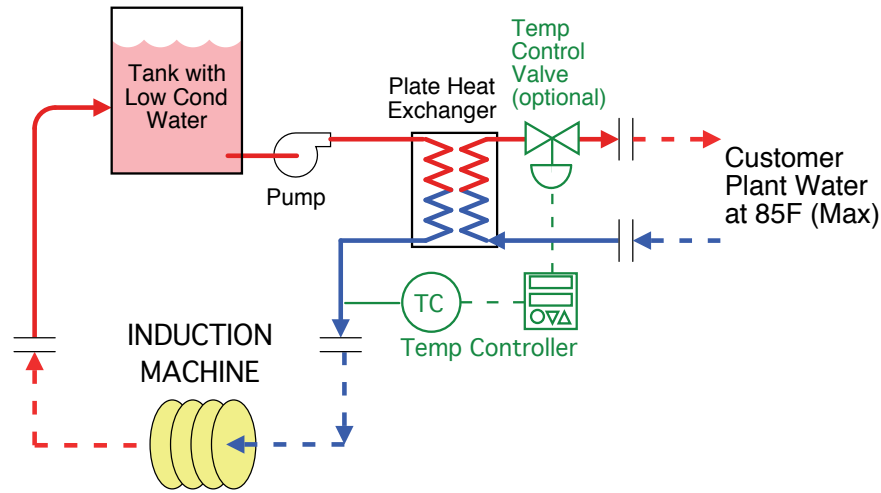


INDUCTION EQUIPMENT COOLING PACKAGES WITH PURPOSE

Engineered For:
Power Supplies
Transformers
Generators
Inductors
Rectifiers



TYPICAL PROCESS DIAGRAM



STANDARD FEATURES

- Completely non-ferrous wetted components
- Cleanable, all-stainless steel plate heat exchanger
- Stainless steel or plastic tank
- Low level switch in tank
- Stainless steel pump
- Temperature control valve to prevent over-cooling and condensation
- Compact design
- Quiet operation

OPTIONAL UPGRADES

- Duplex backup pump
- Elevated tank
- High temperature and low pressure alarm
- Thermostatic mixing valve
- Remote operation
- Pump safety switches

DIMENSIONS & CAPACITIES

Model	Flow Range (GPM)	Nominal Heat Rejection (kW)	Pipe Size (Inches)	Process Pump (HP)	Tank Volume (Gallons)	Tower Water Flowrate at 85F (GPM)	Pump Skid Dimensions W x L x H (Inches)
NFP-50/10	4-10	50	1	1.5	10	15	25 x 29 x 60
NFP-100/20	11-20	100	1.25	3	18	25	30 x 48 x 60
NFP-200/35	21-35	200	1.5	5	40	50	30 x 48 x 60
NFP-300/50	36-50	300	2	5	90	100	42 x 60 x 60
NFP-500/75	51-75	500	2	5	90	125	42 x 60 x 60
NFP-500/100	76-100	500	2.5	7.5	100	140	42 x 60 x 60
NFP-750/140	101-140	750	3	10	150	175	42 x 72 x 60
NFP-1000/160	141-180	1000	3	10	150	250	48 x 72 x 60
NFP-1200/220	181-220	1200	4	10	200	300	48 x 72 x 60