

# Air Cooled Water System for Vacuum Furnaces

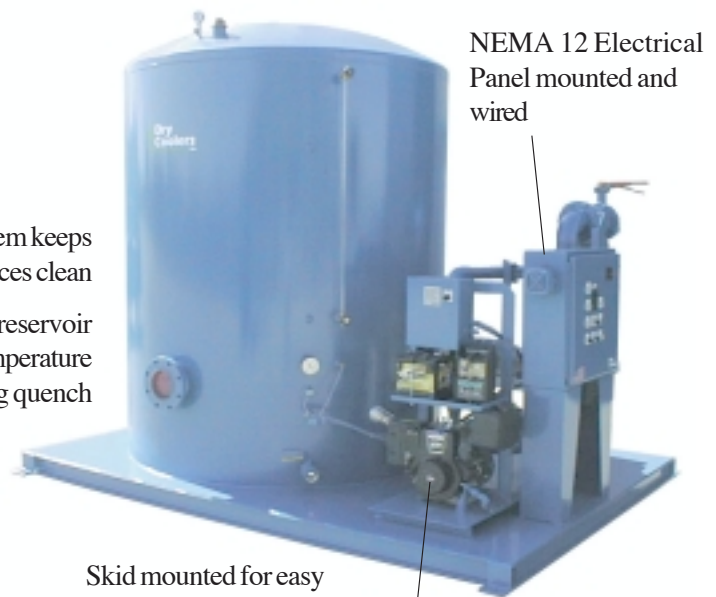
## Aqua-Vent®

### VAC Series Closed Loop Cooling System

- **Lowest Operating Cost**
- **Protects Furnaces from Scaling & Corrosion**
- **Reduces Maintenance**
- **No Filtration Required**
- **No Chemical Treatments**
- **No Water Usage**

Sealed system keeps furnaces clean

Large reservoir limits temperature rise during quench



NEMA 12 Electrical Panel mounted and wired

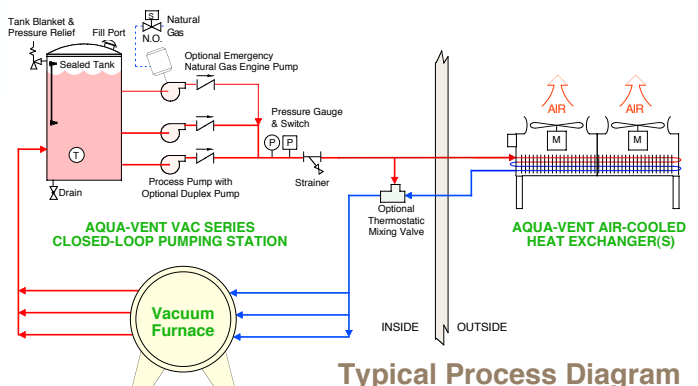
Skid mounted for easy installation

Natural Gas Fired Engine Pump automatically starts upon loss of power or mechanical failure

Low horsepower direct drive fans — Low speed for quiet operation

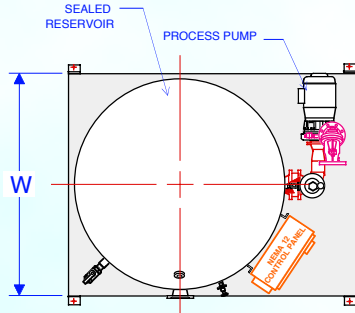


Air Cooled Heat Exchanger with copper tubes and aluminum fins



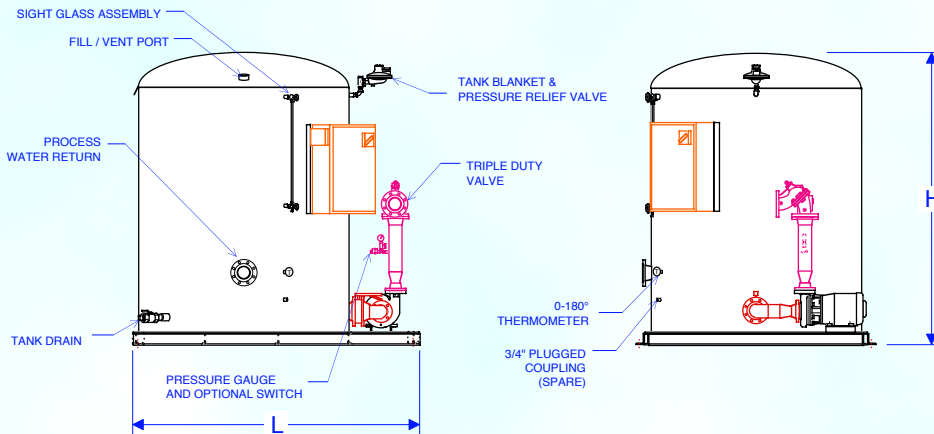
Typical Process Diagram

# Think AIR. The free cooling medium.



## More Quality Features:

- Liquid level sight glass
- Digital indicating temperature controller
- Low water level cutout switch with alarm
- Fused disconnect
- Pilot lights for pumps and fans
- Selector switches for manual or automatic operation



## CAPACITIES and DIMENSIONS

Note: Btu/hr = MBH x 1000. Based on 93°F ambient air and 40% ethylene glycol. Dimensions are subject to change. Consult factory for certified drawings. Consult factory for larger sizes which are available upon request.

Model No.	Capacity		Air-Cooled Heat Exch.			Pump HP	Tank Gal	Piping Size	Skid Dimensions LxWxH (ft)
	GPM	MBH	# Fans	Total HP	Size (WxL)				
VAC-50	50	240	1x2	3.0	(1) 4'x 8'	5.0	300	2"	6' x 4' x 6'
VAC-100	100	460	1x4	6.0	(1) 4'x16'	7.5	500	2-1/2"	8' x 4' x 7'
VAC-150	150	680	1x5	7.5	(1) 4'x20'	7.5	900	3"	8' x 5' x 7'
VAC-200	200	920	2x4	12.0	(2) 4'x16'	10.0	900	4"	8' x 5' x 7'
VAC-300	300	1,370	2x5	15.0	(2) 4'x20'	15.0	1,500	4"	8' x 6' x 8'
VAC-400	400	1,820	3x5	22.5	(3) 4'x20'	20.0	1,500	6"	8' x 6' x 8'
VAC-500	500	2,260	3x6	27.0	(3) 4'x24'	25.0	2,000	6"	10' x 8' x 8'
VAC-600	600	2,740	4x5	30.0	(4) 4'x20'	30.0	2,600	6"	10' x 8' x 8'
VAC-700	700	3,320	4x6	36.0	(4) 4'x24'	30.0	2,600	6"	10' x 8' x 8'



3232 Adventure Lane

Oxford, MI 48371

**1-800-525-8173**

Michigan (248) 969-3400

Fax (248) 969-3401

www.drycoolers.com

## ALSO AVAILABLE from Dry Coolers

Evaporative cooling towers

Air and water cooled refrigerant chillers

CyClean™ filtration systems

Complete systems are pre-engineered and pre-packaged.

Take the headaches out of your process cooling while saving money on water and sewer costs.